

BOUTON DE VANNE POUR LE EU-SP-5874
VALVE BUTTON



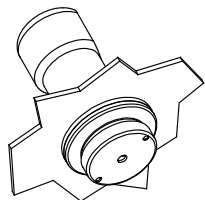
CARACTÉRISTIQUES / SPECIFICATIONS

Le produit EU-SP-PBA6 est une pièce de rechange pour la vanne à bouton poussoir EU-SP-5874 (adaptée pour de nombreuses fontaines Haws). En laiton chromé.

Model **EU-SP-PBA6** flanged push button assembly is used with push button valve EU-SP-5874, is made of polished chrome-plated brass, and includes the push button with front adjusting screw, operator, round locknut, snap ring, and wave washer. This model is used on flush mounted (not recessed) front stainless steel drinking fountain models.

PRODUITS COMPATIBLES /
COMPATIBLE PRODUCTS

EU-1001	EU-1117L
EU-1001MS	EU-1117LN
1001HPS	EU-1119
1001HPSMS	EU-1119.14
EU-1011	EU-1311
EU-1011MS	EU-1501
EU-1011HPS	EU-1920
EU-1011HPSMS	EU-3377
EU-1105	EU-3377G
EU-1107L	EU-3377BF
EU-1109	EU-3377BFG
EU-1109.14	



ASSEMBLED EU-SP-5874PBF
(FLUSH MOUNT APPLICATION ONLY)

SEE SHEET 2 OF 3 FOR EU-SP-5874PBF RECESSED MOUNT INSTRUCTIONS.



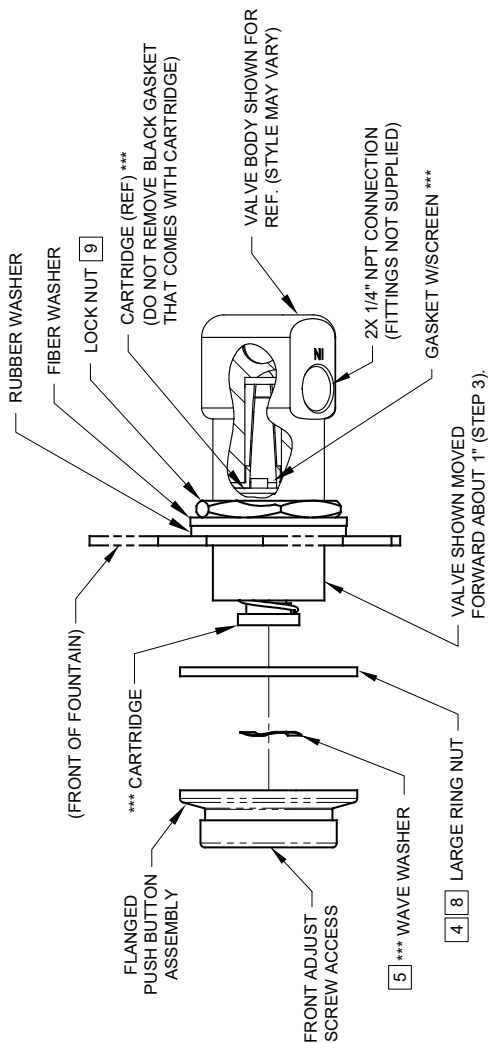
* 6 APPLY 1 DOT OF
LOCTITE 222MS
(WHERE SHOWN)

* THIS ALSO APPLIES
TO PBA6/PBA6C

FIGURE 1

NOTE!

THIS VALVE IS PRESSURE COMPENSATING.
BE SURE TO REMOVE ANY EXISTING FLOW
CONTROL DEVICES. (MAY BE PRESENT IN
FITTING OR SPUD).



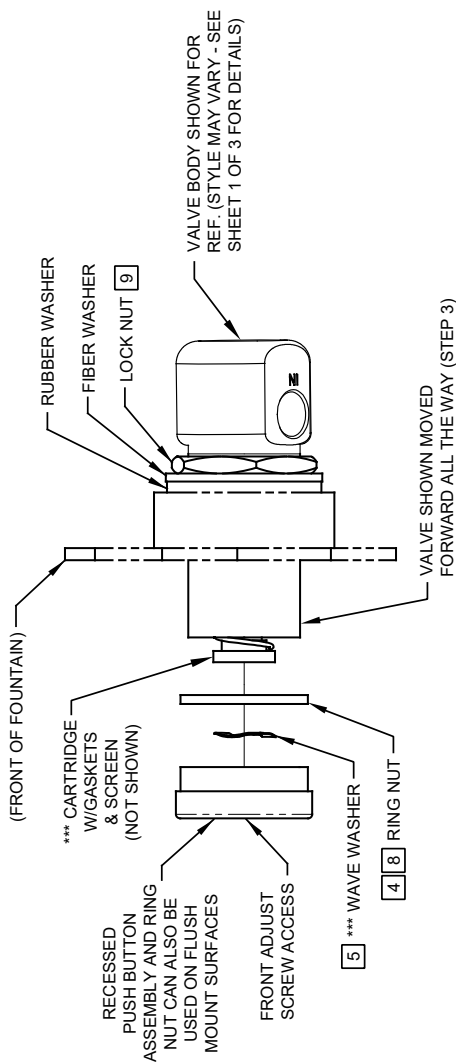
*** MODEL EU-SP-VRK5874 & EU-SP-VRK5874HF- VALVE REPAIR KITS INCLUDE THESE ITEMS (SEE SHEET 3 OF 3 FOR REPLACEMENT INSTRUCTIONS)

INSTALLATION/REPLACEMENT INSTRUCTIONS FOR EU-SP-5874PBF

- 1) FOLLOW INSTRUCTIONS CAREFULLY ON O&M MANUAL (PAGE 2 OF 7) WHEN REMOVING OLD VALVE. **NOTE: SEE PARTS BREAKDOWN (PAGE 4 OF 7) FOR ADDITIONAL NOTES.**
 - 2) VERIFY THAT LOCK NUT, FIBER, AND RUBBER WASHERS ARE POSITIONED SLIGHTLY PAST MIDWAY OF THREADS ON NEW VALVE BODY.
 - 3) INSERT VALVE INTO BRACKET FROM INSIDE AND PUSH FORWARD ABOUT 1".
 - 4) THREAD LARGE RING NUT ONTO VALVE BODY, APPROXIMATELY 1" INTO VALVE.
 - 5) PLACE WAVE WASHER INSIDE OF FLANGED PUSH BUTTON ASSEMBLY (**MUST ALWAYS BE IN PLACE**).
 - 6) APPLY ONE (1) DOT OF LOCTITE 222MS, ON THE FEMALE THREADS OF BUTTON ASSEMBLY LEAVING THE FIRST AND LAST THREADS FREE. (FIGURE 1). **CAUTION: EXCESS LOCTITE CAN CAUSE THREADS TO LOCK VERY TIGHTLY, MAKING REPAIRS DIFFICULT.**
 - **7) THREAD FLANGED PUSH BUTTON ASSEMBLY ON VALVE UNTIL WAVE WASHER MAKES SLIGHT CONTACT WITH STEM OF CARTRIDGE. **CAUTION: DO NOT HAND-TIGHTEN.**
 - 8) UNTHREAD RING NUT FORWARD UNTIL IT STOPS FLUSH WITH PUSH BUTTON ASSEMBLY.
 - 9) PUSH VALVE BACK TOWARD THE INSIDE OF BRACKET AND TIGHTEN LOCKNUT (SEE ILLUSTRATION ABOVE).
 - 10) TIGHTEN PUSH BUTTON ASSEMBLY USING UNIVERSAL SPANNER WRENCH PROVIDED WITH MODEL 5874PBF.
- ** OVERTIGHTENING WILL PRE-ACTUATE VALVE AND CAUSE WEPPAGE, WHILE NOT ENOUGH CONTACT BETWEEN WAVE WASHER AND STEM CAN CAUSE A LOW FLOW CONDITION.

© 2023 Haws® Corporation - All Rights Reserved. HAWS® and other trademarks used in these materials are the exclusive property of Haws Corporation.

Date de révision du document : 02 juillet 2024 - Avis de non-responsabilité : Les améliorations continues du produit font que les spécifications peuvent être modifiées sans préavis. Document et photos non contractuelles. July 02, 2024 - Disclaimer: Continued product improvements make specifications and measurements subject to change without notice. Non-contractual document.



ASSEMBLED EU-SP-5874PB
(RECESSED MOUNT APPLICATION SHOWN)
SEE SHEET 1 OF 3 FOR FLUSH MOUNT INSTRUCTIONS.

INSTALLATION/REPLACEMENT INSTRUCTIONS FOR EU-SP-5874PB

*** MODEL EU-SP-VRK5874 & EU-SP-VRK5874HF- VALVE REPAIR KITS INCLUDE THESE ITEMS (SEE SHEET 3 OF 3 FOR REPLACEMENT INSTRUCTIONS)

- 1) FOLLOW INSTRUCTIONS CAREFULLY ON O&M MANUAL (PAGE 2 OF 7) WHEN REMOVING OLD VALVE. **NOTE: SEE PARTS BREAKDOWN (PAGE 4 OF 7) FOR ADDITIONAL NOTES.**
- 2) VERIFY THAT LOCK NUT, FIBER WASHER, AND RUBBER WASHERS ARE POSITIONED TOWARD BOTTOM END OF THREADS ON NEW VALVE BODY.
- 3) INSERT VALVE INTO BRACKET FROM INSIDE, AND PUSH ALL THE WAY FORWARD (SEE ILLUSTRATION ABOVE).
- 4) THREAD RING NUT ONTO VALVE BODY, AS FAR IN AS POSSIBLE, TOWARD FRONT OF FOUNTAIN.
NOTE: IF REPLACING A EU-SP-5871 OR EU-SP-5872 SERIES VALVE, YOU MAY HAVE TO CONTACT HAWS TECHNICAL SUPPORT. PLACE WAVE WASHER INSIDE OF PUSH BUTTON ASSEMBLY (MUST ALWAYS BE IN PLACE).
- 5) APPLY ONE (1) DOT OF LOCTITE 222MS, ON THE FEMALE THREADS OF BUTTON ASSEMBLY LEAVING THE FIRST AND LAST THREADS FREE. (FIGURE 1). **CAUTION: EXCESS LOCTITE CAN CAUSE THREADS TO LOCK VERY TIGHTLY, MAKING REPAIRS DIFFICULT.**
- **7) THREAD PUSH BUTTON ASSEMBLY ON VALVE UNTIL WAVE WASHER MAKES SLIGHT CONTACT WITH STEM OF CARTRIDGE. **CAUTION: DO NOT HAND-TIGHTEN.**
- 8) UNTHREAD RING NUT FORWARD UNTIL IT STOPS FLUSH WITH PUSH BUTTON ASSEMBLY.
- 9) PUSH VALVE BACK TOWARD THE INSIDE OF BRACKET AND TIGHTEN LOCKNUT (SEE ILLUSTRATION ABOVE).
- 10) TIGHTEN PUSH BUTTON ASSEMBLY USING UNIVERSAL SPANNER WRENCH PROVIDED WITH MODEL EU-SP-5874PB. ** OVERTIGHTENING WILL PRE-ACTUATE VALVE AND CAUSE WEEPAGE. WHILE NOT ENOUGH CONTACT BETWEEN WAVE WASHER AND STEM CAN CAUSE A LOW FLOW CONDITION.



FIGURE 1

* 6 APPLY 1 DOT OF LOCTITE 222MS (WHERE SHOWN)

* THIS ALSO APPLIES TO PBA7/PBA7C

NOTE!

THIS VALVE IS PRESSURE COMPENSATING. BE SURE TO REMOVE ANY EXISTING FLOW CONTROL DEVICES. (MAY BE PRESENT IN FITTING OR SPUD).

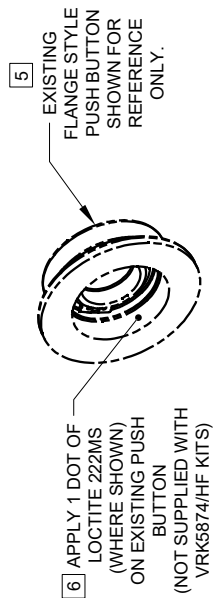


FIGURE 1

REPLACEMENT INSTRUCTIONS FOR EU-SP-VRK5874 / EU-SP-VRK5874HF

1) FOLLOW INSTRUCTIONS CAREFULLY ON O&M MANUAL (PAGE 2 OF 7) WHEN REMOVING VALVE.
NOTE: SEE PARTS BREAKDOWN (PAGE 4 OF 7) FOR ADDITIONAL NOTES.

2) REMOVE FRONT PUSH BUTTON (WITH WAVE WASHER INSIDE) AND RETAINING NUT WITH THE UNIVERSAL SPANNER WRENCH (PN 0006983506 - NOT SUPPLIED WITH EU-SP-VRK5874 AND EU-SP-VRK5874HF KITS).

3) PULL EXISTING CARTRIDGE ASSEMBLY WITH GASKET SCREEN OUT.

4) WHEN INSERTING NEW CARTRIDGE ASSEMBLY WITH GASKET SCREEN, FOLLOW THESE IMPORTANT STEPS:

- MAKE SURE THERE IS NO DEBRIS IN THE VALVE BODY BEFORE INSERTING THE CARTRIDGE ASSEMBLY INTO THE VALVE BODY.
- ALIGN STRAINER WITH LARGE HOLE IN THE VALVE BODY AND ENSURE THE OUTLET PORT ON CARTRIDGE IS ALSO PROPERLY ALIGNED WITH SMALLER OPENING IN VALVE BODY BY TURNING SLIGHTLY INTO PLACE.
- CONFIRM CARTRIDGE HAS BOTTOMED OUT PROPERLY BEFORE INSTALLING RETAINING NUT.
- THREAD RETAINING NUT UNTIL IT CONTACTS THE CARTRIDGE, THEN TIGHTEN 1-1/4 TURN FURTHER, CHECK FOR LEAKS.
- **(CAUTION: WHEN REPLACING CARTRIDGE W/GASKET ASSEMBLY, DAMAGE CAN OCCUR IF NOT PROPERLY RE-INSTALLED).**

5) PLACE WAVE WASHER (EXISTING OR NEW) INSIDE OF PUSH BUTTON ASSEMBLY **(MUST ALWAYS BE IN PLACE)**.

6) APPLY ONE (1) DOT OF LOCTITE 222MS, ON THE FEMALE THREADS OF EXISTING BUTTON ASSEMBLY LEAVING THE FIRST AND LAST THREADS FREE. (SEE FIGURE 1). **CAUTION: EXCESS LOCTITE CAN CAUSE THREADS TO LOCK VERY TIGHTLY, MAKING REPAIRS DIFFICULT.**

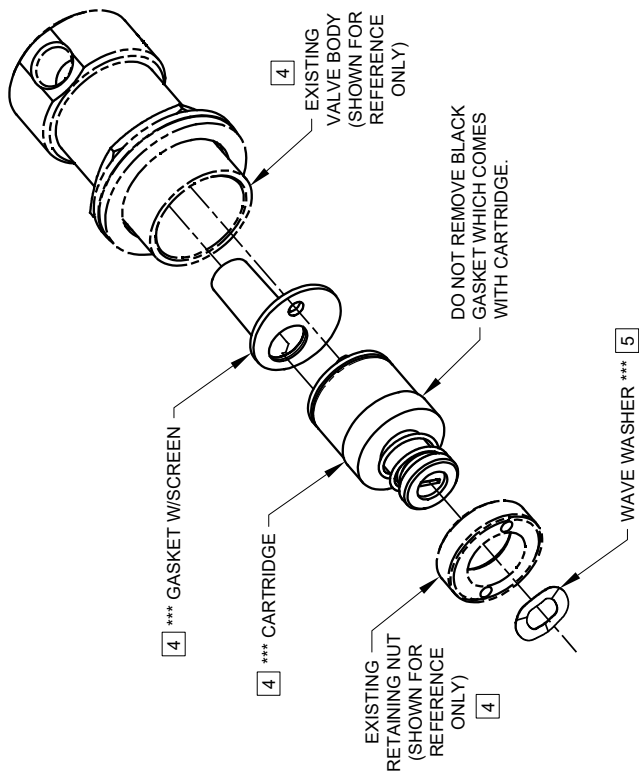
** 7) THREAD EXISTING PUSH BUTTON ASSEMBLY ON VALVE UNTIL WAVE WASHER MAKES SLIGHT SLIGHT CONTACT WITH STEM OF CARTRIDGE. **CAUTION: DO NOT HAND-TIGHTEN.**

8) TIGHTEN EXISTING PUSH BUTTON ASSEMBLY USING UNIVERSAL SPANNER WRENCH (PN 0006983506 NOT SUPPLIED WITH EU-SP-VRK5874 AND EU-SP-VRK5874HF KITS).

** OVERTIGHTENING WILL PRE-ACTUATE VALVE AND CAUSE WEEPAGE; WHILE NOT ENOUGH CONTACT BETWEEN WAVE WASHER AND STEM CAN CAUSE A LOW FLOW CONDITION.

© 2023 Haws® Corporation - All Rights Reserved. HAWS® and other trademarks used in these materials are the exclusive property of Haws Corporation.

Date de révision du document : 02 juillet 2024 - Avis de non-responsabilité : Les améliorations continues du produit font que les spécifications peuvent être modifiées sans préavis. Document et photos non contractuelles. July 02, 2024 - Disclaimer: Continued product improvements make specifications and measurements subject to change without notice. Non-contractual document.



*** MODEL EU-SP-VRK5874 & EU-SP-VRK5874HF - VALVE REPAIR KITS INCLUDE THESE ITEMS

NOTE!

THIS VALVE IS PRESSURE COMPENSATING. BE SURE TO REMOVE ANY EXISTING FLOW CONTROL DEVICES, (MAY BE PRESENT IN FITTING OR SPUD).