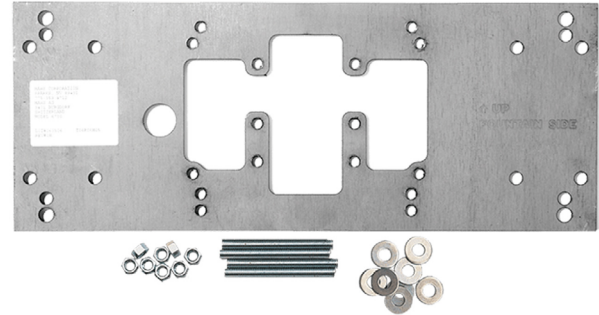


**FIXATION MURALE  
MOUNTING PLATE**



**FONCTIONNALITÉS ET AVANTAGES /  
FEATURES & BENEFITS**

**MOUNTING :**

Heavy Duty 3/16" (0.47 cm) steel pre-drilled and threaded in-wall mounting plate along with all-thread studs and hardware.

**OPTIONS**

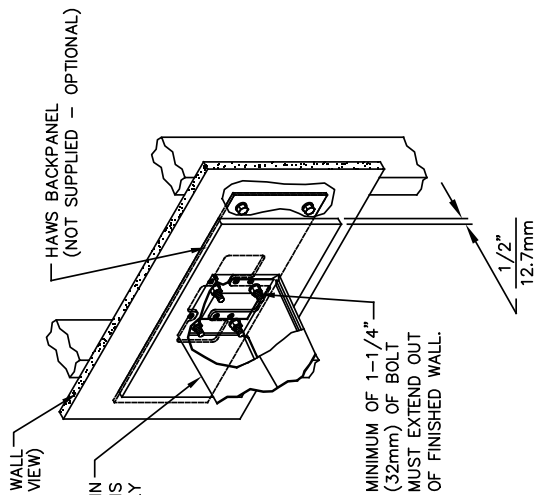
Support Frame : Model EU-SP-6800 In-wall floor mounted fixture support legs, welded steel 4-bolt floor flanges, and supplied with "U" bolts and hardware.

**CARACTÉRISTIQUES / SPECIFICATIONS**

Model EU-SP-6700 in-wall 3/16" thick steel mounting plate is larger, thicker and stronger than any other plate in the industry, and shall include the allthread studs, nuts, and washers. For use with many Haws single bubbler fountains or EU-1920 series bottle fillers.

**UTILISATIONS / APPLICATIONS**

Haws produces mounting plates and frames to assist in the installation process as well as to provide a solid base for the wall mounted designed fountains. Mounting plates and frames meet the requirements solely for the specified applicable fountains and are not designed to be used in the installation of any unspecified fountain.



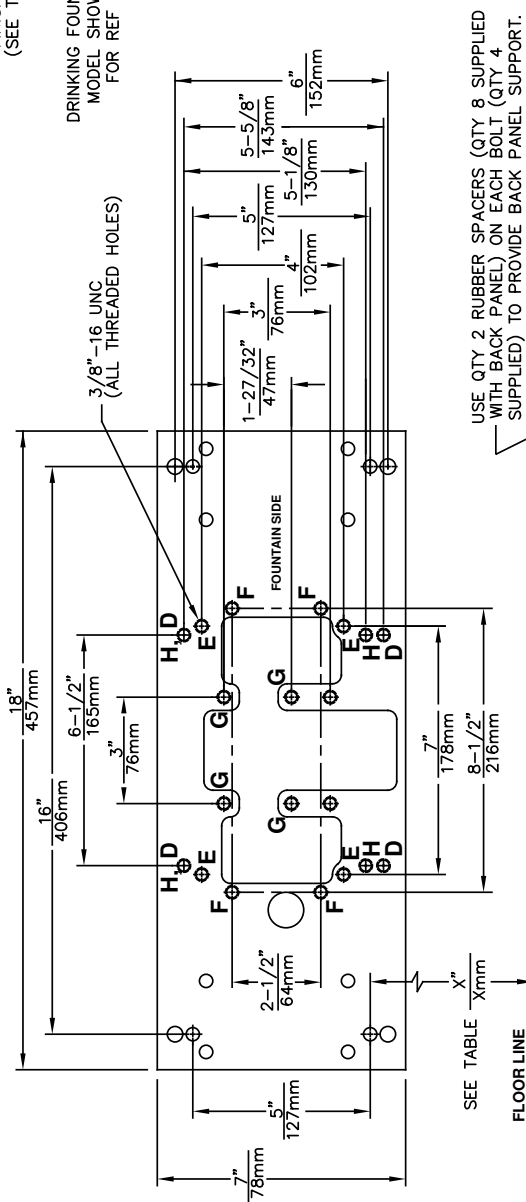
MODEL	MTG HOLES	«X» DJM
EU-1000	G	25-3/8" (645 mm)
EU-1001	G	25-3/8" (645 mm)
EU-1025	D	28-1/8" (714 mm)
EU-1047	E	27-1/2" (699 mm)
EU-1075	E	28" (711 mm)
EU-1105	H	34-5/16" (872 mm)
EU-1109	H	27-5/16" (694 mm)
EU-1116	G	25-3/8" (645 mm)
EU-1001FR	G	25-3/8" (645 mm)
EU-1109FR	H	27-5/16" (694 mm)
EU-1075FR	E	28" (711 mm)
EU-1311	E	26-3/4" (679 mm)
EU-1107L	F	26-3/16" (665 mm)
EU-1311-TRIMCA	E	26-3/4" (679 mm)

\*FINISH WALL OVER MOUNTING PLATE AND BEHIND BACKPANEL. MAKE SURE THAT FINISHED WALL EXTENDS WITHIN THE BRACKET/BOWL MOUNTING HOLES (TO PROVIDE SURFACE AREA FOR RUBBER SPACERS TO CONTACT).

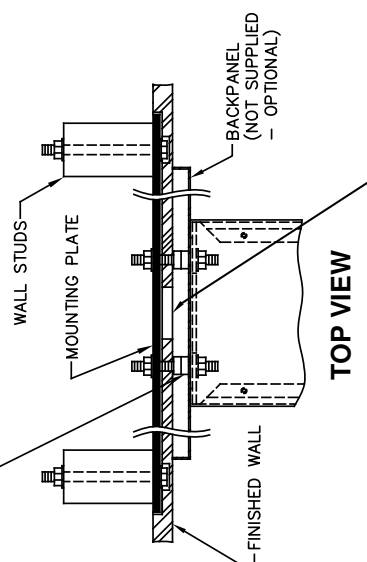


EU-1001FR	EU-1001FR	EU-1001FR	EU-1001FR	EU-1001FR	EU-1001FR
DATE: 05/03/03	DATE: 05/03/03	DATE: 05/03/03	DATE: 05/03/03	DATE: 05/03/03	DATE: 05/03/03
SCALE: 1/4"	SCALE: 1/4"	SCALE: 1/4"	SCALE: 1/4"	SCALE: 1/4"	SCALE: 1/4"
MODEL(S)	MODEL(S)	MODEL(S)	MODEL(S)	MODEL(S)	MODEL(S)
EU-SP-6700	EU-SP-6700	EU-SP-6700	EU-SP-6700	EU-SP-6700	EU-SP-6700
REVISION 22	REVISION 22	REVISION 22	REVISION 22	REVISION 22	REVISION 22
PART NUMBER 0002080016	PART NUMBER 0002080016	PART NUMBER 0002080016	PART NUMBER 0002080016	PART NUMBER 0002080016	PART NUMBER 0002080016

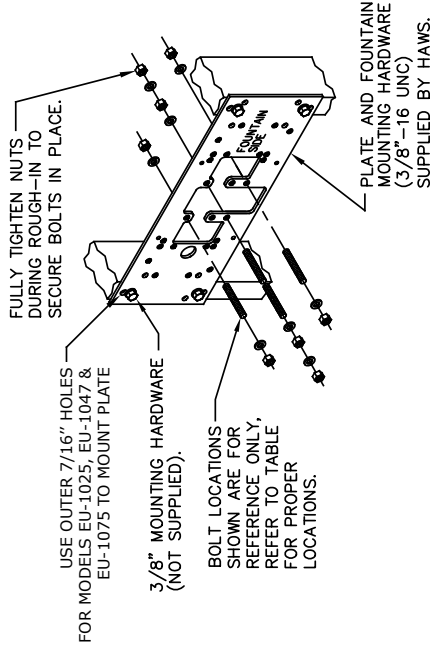
HAWS Corporation - All Rights Reserved. HAWS and other trademarks used in these materials are the exclusive property of Haws Corporation.



USE QTY 2 RUBBER SPACERS (QTY 8 SUPPLIED WITH BACK PANEL) ON EACH BOLT (QTY 4 SUPPLIED) TO PROVIDE BACK PANEL SUPPORT.



EU-SP-6700 MOUNTING PLATE FOR USE WITH DRINKING FOUNTAINS (SEE SHEETS 2 - 4 FOR USE WITH BOTTLE FILLER)

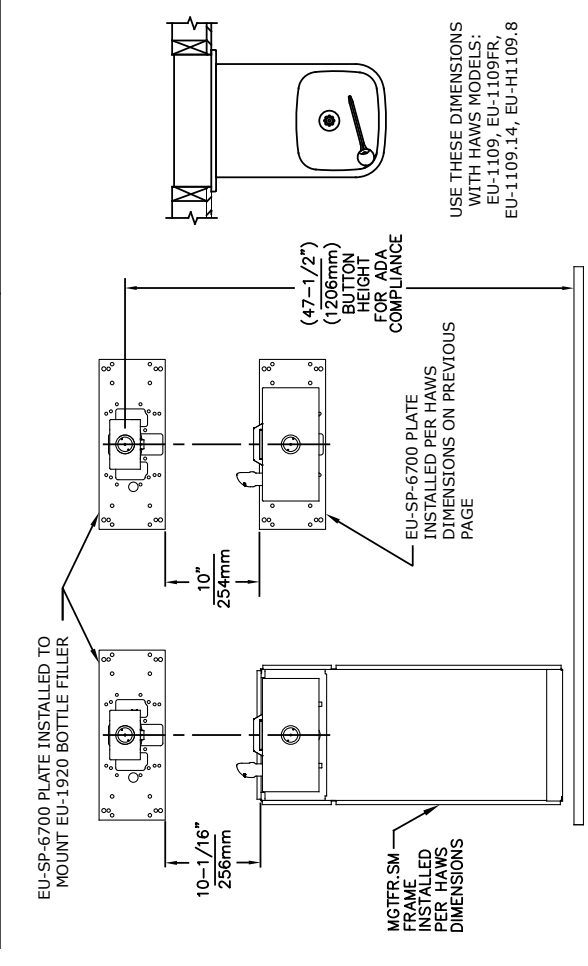
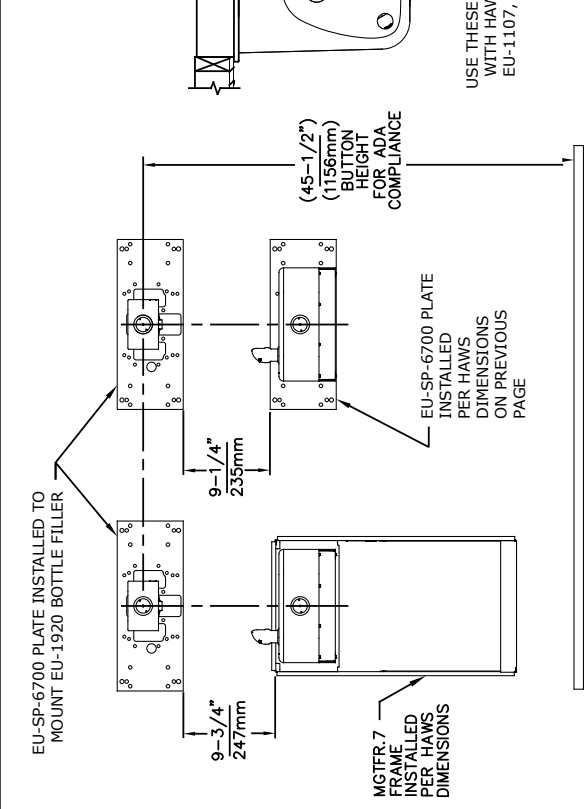
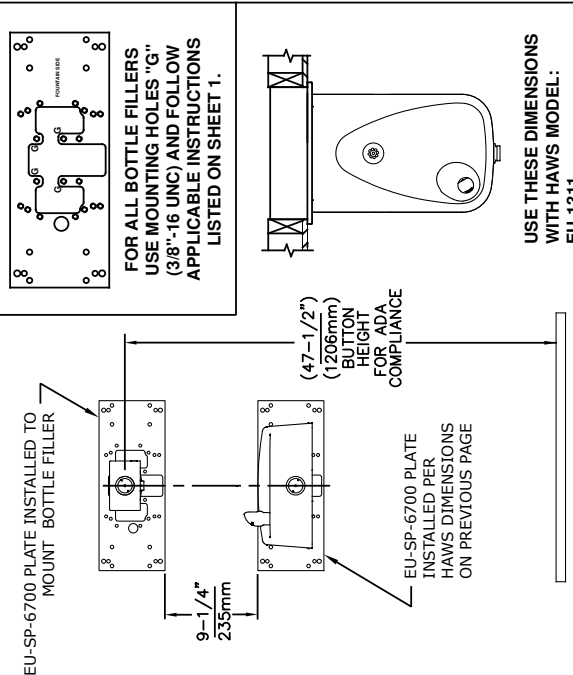
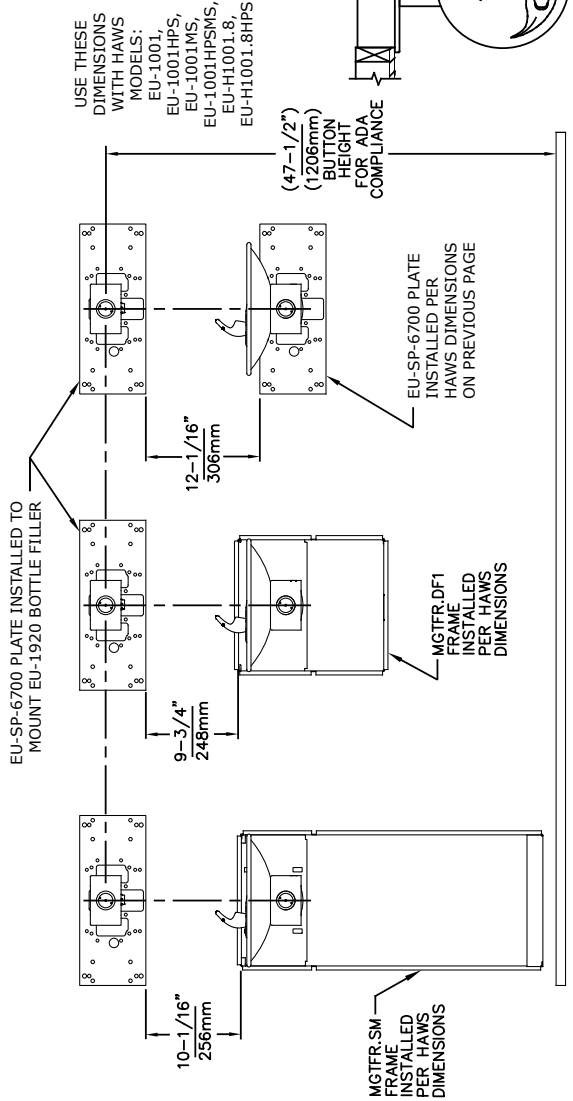


**CAUTION**

REGARDING CONCRETE/MASONRY WALL MOUNTING: DO NOT SECURE MOUNTING PLATE TO SAME SIDE OF WALL AS FOUNTAIN. AVOID COMPROMISING INTEGRITY OF WALL WHEN ANCHORING FOUNTAIN. IT IS RECOMMENDED THAT INSTALLER CALL TECHNICAL SUPPORT IF THERE ARE ANY QUESTIONS AS TO HOW TO OBTAIN A PROPER ANCHOR IN CONCRETE/MASONRY WALLS. +33 1 44 25 03 90



COMIMEX

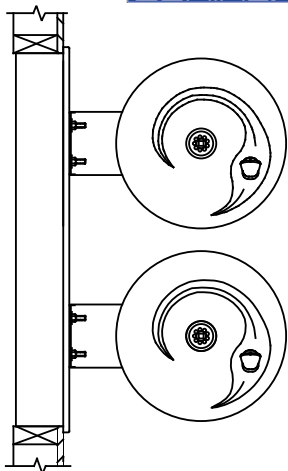


		<b>EU-SP-6700</b>	
ECONO PART NUMBER 002080016	MODEL(S) EU-SP-6700	DATE 02/09/17	DRAWING TYPE INSTALLATION
DRAWN MJ	CHECKED DP	SCALE N/A	SHEET Z OF 4 22
Haws Corporation - All Rights Reserved. HAWS and other trademarks used in these materials are the exclusive property of Haws Corporation.			

**EU-SP-6700 MOUNTING PLATE FOR USE WITH BOTTLE FILLER (SEE SHEET 1 FOR USE WITH DRINKING FOUNTAINS)**

- NOTES :**
- 1 - When installing this unit, local, state or federal codes should be adhered to.
  - 2 - Back panels (optional) not shown for clarity.

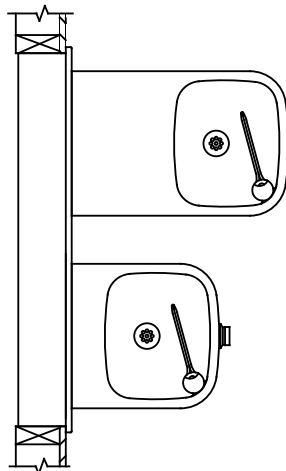
Date de révision du document : 29 février, 2024 - Avis de non-responsabilité : Les améliorations continues du produit font que les spécifications peuvent être modifiées sans préavis. Document et photos non contractuelles.  
 February 29, 2024 - Disclaimer: Continued product improvements make specifications and measurements subject to change without notice. Non-contractual document.



USE THESE MOUNTING DIMENSIONS IF INSTALLING OVER HAWS FOUNTAIN MODEL EU-101.1, EU-1011HPS, EU-1011HPSMS, EU-1011MS, EU-H1011.8, EU-H1011.8HO, EU-H1011.8HPS

INSTALL THE EU-6700 ABOVE THE FOUNTAIN MOUNTING PLATE OR FRAME AT THE DIMENSION SHOWN FOR CORRECT BACKPANEL SPACING

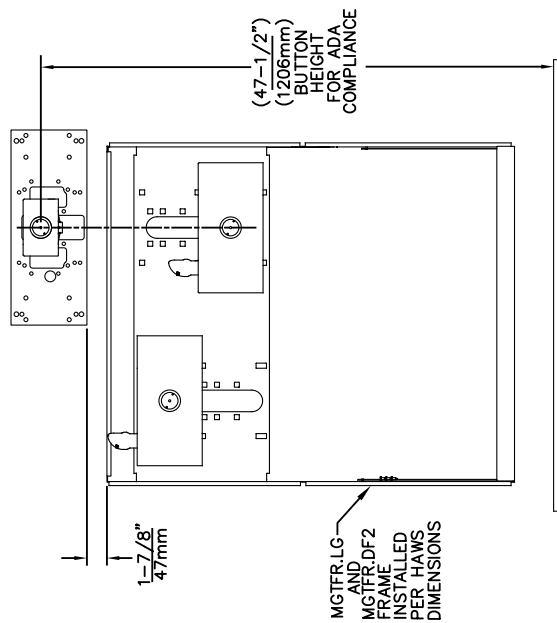
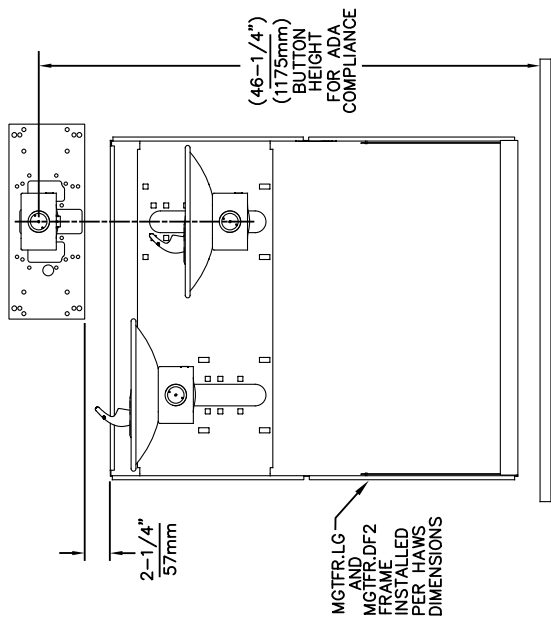
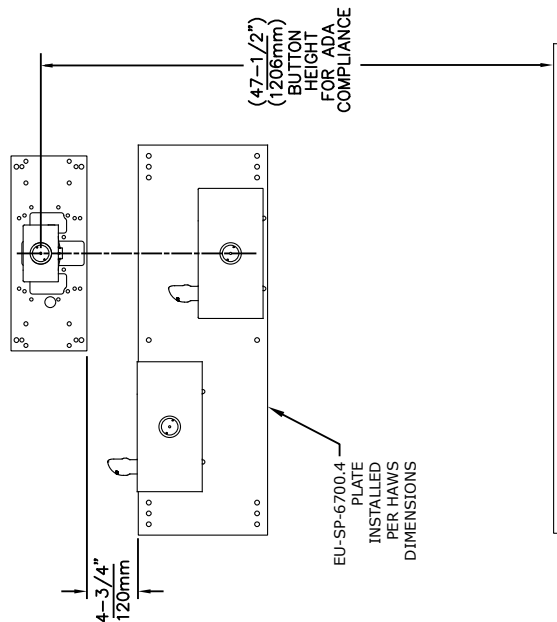
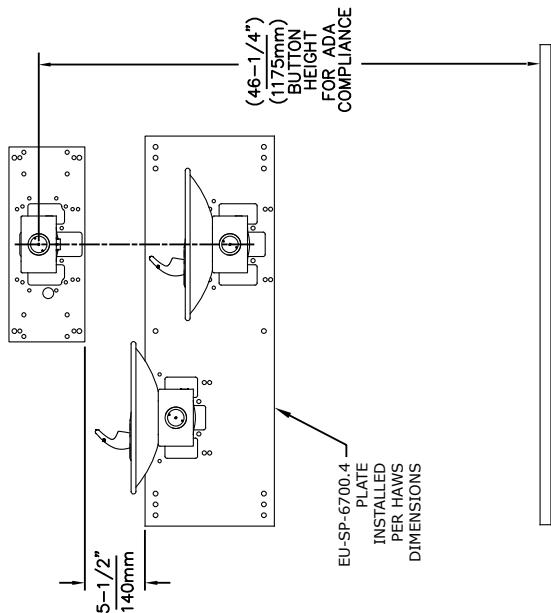
BACK PANELS FOR BOTTLE FILLERS (NOT SUPPLIED - OPTIONAL) ARE NOT SHOWN FOR CLARITY.



USE THESE MOUNTING DIMENSIONS IF INSTALLING OVER HAWS FOUNTAIN MODEL: EU-1119, EU-1119.14, EU-1119FR, EU-H1119.8

INSTALL THE EU-SP-6700 ABOVE THE FOUNTAIN MOUNTING PLATE OR FRAME AT THE DIMENSION SHOWN FOR CORRECT BACKPANEL SPACING

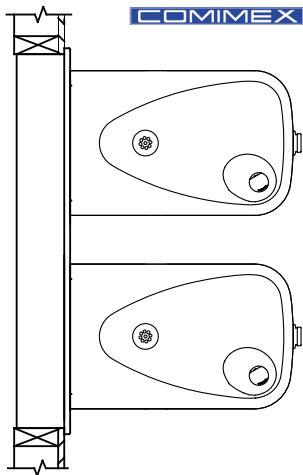
BACK PANELS FOR BOTTLE FILLERS (NOT SUPPLIED - OPTIONAL) ARE NOT SHOWN FOR CLARITY.



EU-SP-6700 MOUNTING PLATE FOR USE WITH BOTTLE FILLER (SEE SHEET 1 FOR USE WITH DRINKING FOUNTAINS)



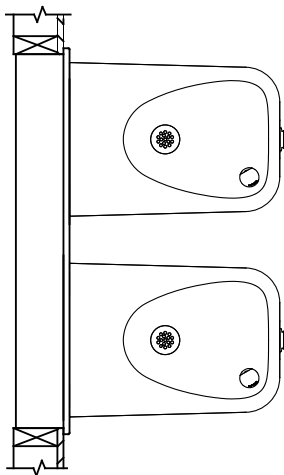
ECN NO	REVISED PER BY	DATE	SCALE	DRAWING TYPE	INSTALLATION	SIZE	SHEET	OF
0002080016	0002080016	05/14/20	1:13	113	EU-SP-6700	A	3	4
0002080016	0002080016	05/14/20	1:13	113	EU-SP-6700	A	3	4
0002080016	0002080016	05/14/20	1:13	113	EU-SP-6700	A	3	4



USE THESE MOUNTING DIMENSIONS IF INSTALLING OVER HAWS FOUNTAIN MODEL : EU-1117L, EU-H1117.8

INSTALL THE EU-SP-6700 ABOVE THE FOUNTAIN MOUNTING PLATE OR FRAME AT THE DIMENSION SHOWN FOR CORRECT BACKPANEL SPACING

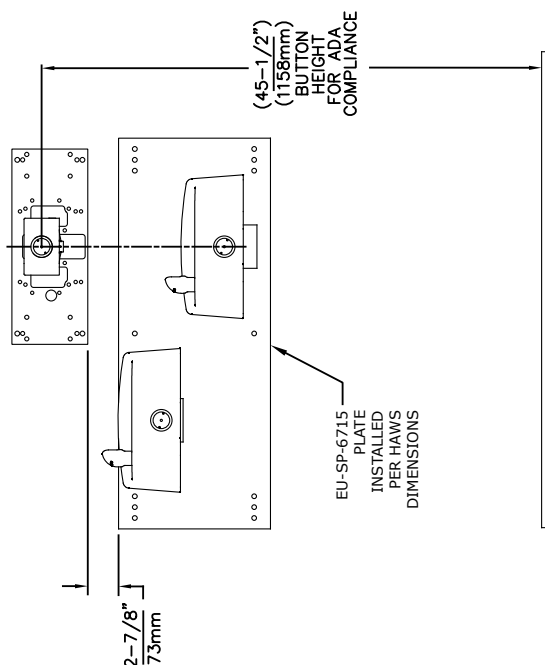
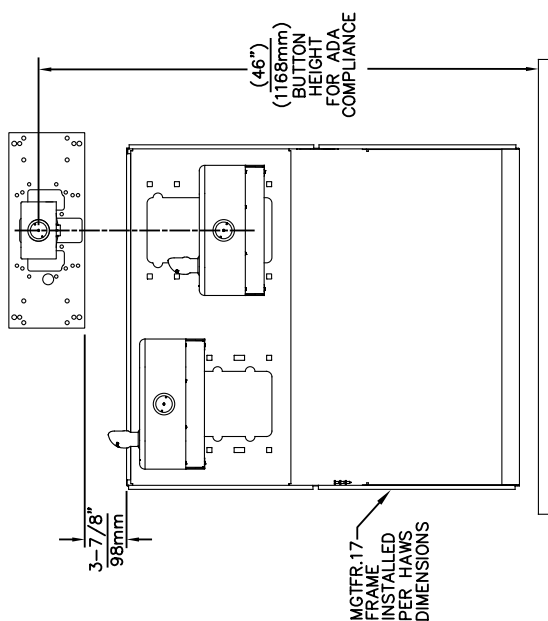
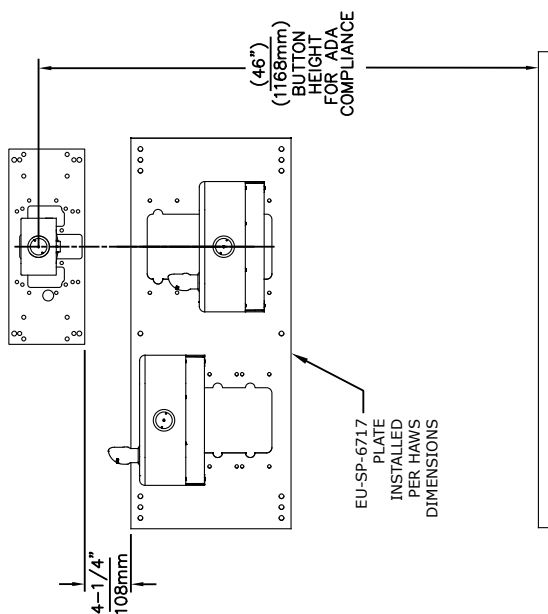
BACK PANELS FOR BOTTLE FILLERS (NOT SUPPLIED - OPTIONAL) ARE NOT SHOWN FOR CLARITY.



USE THESE MOUNTING DIMENSIONS IF INSTALLING OVER HAWS FOUNTAIN MODEL : EU-1501

INSTALL THE EU-SP-6700 ABOVE THE FOUNTAIN MOUNTING PLATE OR FRAME AT THE DIMENSION SHOWN FOR CORRECT BACKPANEL SPACING

BACK PANEL FOR BOTTLE FILLERS (NOT SUPPLIED - OPTIONAL) IS NOT SHOWN FOR CLARITY.



EU-SP-6700 MOUNTING PLATE FOR USE WITH BOTTLE FILLER (SEE SHEET 1 FOR USE WITH DRINKING FOUNTAINS)



ECONOMY REVIEWED PER SP. 5040 ECN. 5550		MODEL(S)	EU-SP-6700
DATE: 05/14/20	CHKD. DP	SCALE: 1:13	DRAWING TYPE: INSTALLATION
APPROVED: FV	DATE: 03/14/20	SIZE: A	SHEET: 4 OF 4
PART NUMBER: 0002080016		REVISION: 22	

Haws Corporation - All Rights Reserved. HAWS and other trademarks used in these materials are the exclusive property of Haws Corporation.

Date de révision du document : 29 février, 2024 - Avis de non-responsabilité : Les améliorations continues du produit font que les spécifications peuvent être modifiées sans préavis. Document et photos non contractuelles. February 29, 2024 - Disclaimer: Continued product improvements make specifications and measurements subject to change without notice. Non-contractual document.