

## FONTAINE À BOIRE MURALE (SANS DOSSERET) BARRIER-FREE WALL MOUNT FOUNTAIN

### FONCTIONNALITÉS ET AVANTAGES / FEATURES & BENEFITS

#### CONSTRUCTION :

Rugged ADA accessible 18 gauge Type 304 Stainless Steel swirl design bowl, 14 gauge Type 304 Stainless Steel bracket, and a vandal-resistant bottom plate provides a long lasting unit with added peace of mind.

#### QUALITY CONTROL :

Pre-built fountain is pressure tested to ensure no leaks and proper functionality.

#### MOUNTING :

3/16" (0.47 cm) steel mounting plate with supplied mounting hardware for a solid unit base allows for easy installation to a framed wall.  
(P-trap and stop require rear access)

#### BUBBLER HEAD :

Polished chrome-plated brass bubbler head with integral laminar flow prevents splashing while providing a superior flow pattern. The integral 11/16" dia. basin shank and stainless anti-rotation roll pin for vandal resistance strength. Shielded, angled stream opening provides a steady source of drinking water at .45 gpm.

#### PUSH BUTTON VALVE :

The push-button activated valve has an all stainless steel body, with chrome plated brass push button assembly which allows for front access to water stream adjustment, water control cartridge, and water supply strainer replacement without having to go through the bottom plate. Operating pressure range of 30 to 90 psi (2.1 to 6.2 bar).



### CARACTÉRISTIQUES / SPECIFICATIONS

Model **EU-1001** wall mounted barrier-free drinking fountain shall include an 18 gauge Type 304 Stainless Steel satin finish basin with integral swirl design, 14 gauge Type 304 Stainless Steel wall bracket, 100% lead-free waterways, push-button operated stainless steel valve with front-accessible cartridge and flow adjustment, polished chrome-plated brass vandal-resistant bubbler head with integral laminar anti-squirt flow, chrome-plated brass vandal-resistant waste strainer, vandal-resistant bottom plate, and 1-1/4" (3.2 cm) O.D. waste pipe.  
(P-trap and stop require rear access)  
REQUIRES MODEL **EU-SP-6700** PRICED SEPARATELY.

### OPTIONS

**Water Filter :** Model **EU-SP-6426**, 12" x 2" (30.5 x 5.1 cm), in-line lead removal element that reduces lead from incoming water supply.

**Access Panel :** Model **EU-SP-6603**, satin finish stainless steel access panel. Includes frame and screws.

**Support Frame :** Model **EU-SP-6800** universal in-wall mounting support for use with most fountains.

**Back Panel :** Model **EU-SP-BP6**, satin finish stainless steel back panel.



# INSTALLATION, FONCTIONNEMENT ET MAINTENANCE / INSTALLATION, OPERATION AND MAINTENANCE INSTRUCTIONS

## NOTE TO INSTALLER :

Please leave this information with the Maintenance Department.

## LIMITED WARRANTY :

HAWS warrants that this specific product is guaranteed against defective material or poor workmanship for a period of one year from date of shipment. HAWS liability under this warranty shall be discharged by furnishing without charge F.O.B. HAWS Factory any goods, or part thereof, which shall appear to the Company upon inspection to be of defective material or not of first class workmanship, provided that claim is made in writing to Haws within a reasonable period after receipt of the product. Where claims for defects are made, the defective part or parts shall be delivered to the Company, prepaid, for inspection. HAWS will not be liable for the cost of repairs, alterations or replacements, or for any expense connected therewith made by the owner or his agents, except upon written authority from HAWS, Sparks, Nevada. HAWS will not be liable for any damages caused by defective materials or poor workmanship, except for replacements, as provided above. Buyer agrees that HAWS shall not be liable for general, special, or consequential damages claimed to arise under the contract of sale. The drinking fountain manufactured by HAWS is warranted to function if installation and maintenance instructions provided are adhered to. The units also must be used for the purpose for which they were intended.

**NO OTHER WARRANTIES EXPRESSED OR IMPLIED ARE AUTHORIZED, PROVIDED OR GIVEN BY HAWS.**

## SHOULD YOU EXPERIENCE DIFFICULTY WITH THE INSTALLATION OF THIS MODEL PLEASE CALL :

TECHNICAL SUPPORT AND CUSTOMER SERVICE : +33 1 44 25 03 90

**RECOMMENDED TOOLS :** Hack saw, pipe joint sealant, screwdriver, level, 12" adjustable wrench, 10" pipe wrench, 3/32" and 5/32" hex key wrench, 9/16", 1/2", 7/16" socket wrench or open-end wrench.

**LOCATION OF UNIT :** The Model **EU-1001 / EU-1001HPS** Drinking Fountain is a wheelchair accessible drinking water facility. The height dimensions shown, meet current ADA requirements. When installing this unit, local, state or federal codes should be adhered to. If height other than shown is required, then dimensions must be adjusted accordingly.

**SUPPLY LINE :** The minimum recommended line size is 1/2" IPS with 30-90 PSI (2-6 ATM) flowing pressure. Where sediment or mineral content is a problem, an inlet filter is recommended.

**PLUMBING CONNECTIONS :** Inlet is 3/8" O.D. push-in type fitting. Waste outlet is 1-1/4" O.D. tube.

**MAINTENANCE :** Periodically clean the strainer. Refer to 5874 Series Valve Manual for more information.

## GENERAL NOTES :

1. For all plastic push-in type fitting connections, only connect NSF-61 copper or plastic tubing. Stainless steel or glass tubing is not recommended. The following assembly instructions must be followed to ensure a watertight connection :

- a. Cut tubing square and clean.
- b. Mark from end of tube the length of insertion (See table below).
- c. Push tube into the fitting until it bottoms out.
- d. To remove, depress collet and pull tubing out.

Tube Sizes	O.D. Tolerance	Insertion Depth
1/4"	+/- 0,005"	11/16"
3/8"	+/- 0,005"	3/4"
1/2"	+/- 0,005"	7/8"



# INSTALLATION, FONCTIONNEMENT ET MAINTENANCE / INSTALLATION, OPERATION AND MAINTENANCE INSTRUCTIONS

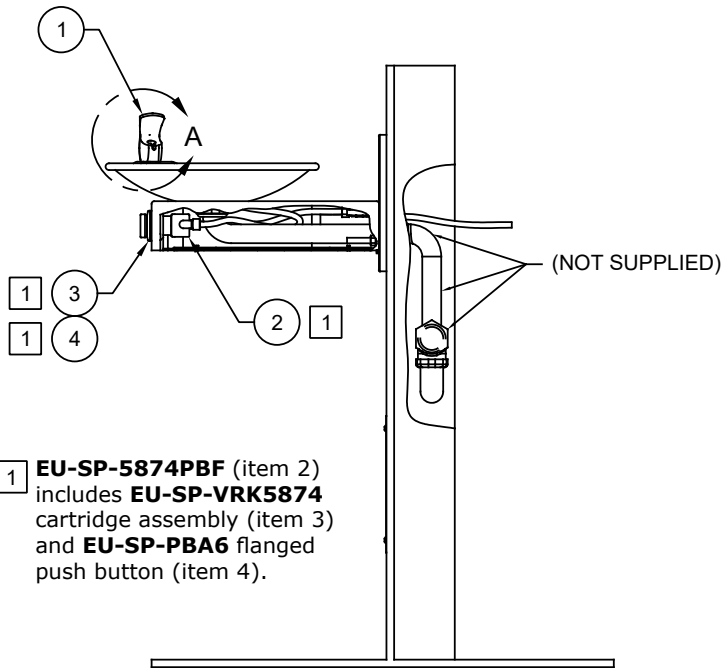
PROBLEM	TROUBLESHOOTING REPAIR CHECKLIST
1. Insufficient bubbler flow.	<p>1a : Check that inlet screwdriver stop valve is in wide-open position.</p> <p>1b : Verify minimum 30 psi flowing supply pressure.</p> <p>1c : Clean strainer. See EU-5874 Series Valve Manual.</p> <p>1d : Adjust valve to increase flow. Use front adjust screw or see EU-5874 Series Valve Manual.</p> <p>1e : Clean screens (inside nozzle body). Unscrew nozzle insert and very gently activate water supply to pop out qty. 3 screens (be careful not to lose screens). Remove any debris clogging the screen openings and place back into nozzle body. Reassemble nozzle insert.</p>

For more information about Haws products, see our website : [www.anox.fr/fr/550-haws-france](http://www.anox.fr/fr/550-haws-france)

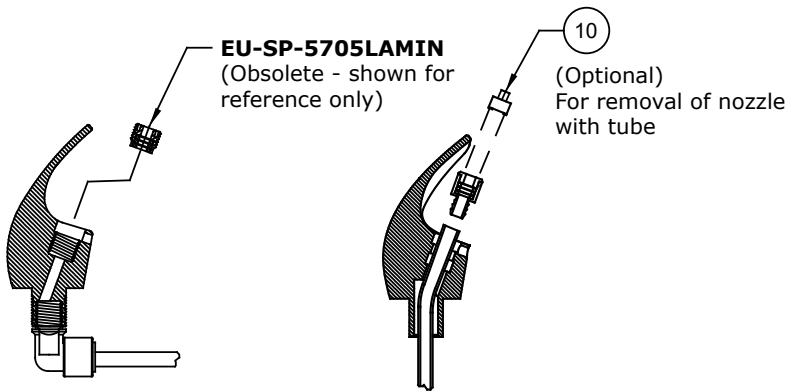
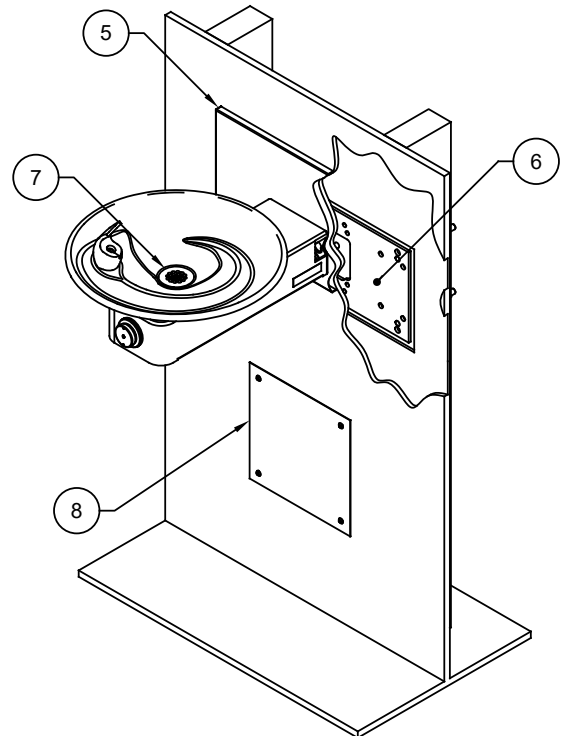
Date de révision du document : 29 février 2024 - Avis de non-responsabilité : Les améliorations continues du produit font que les spécifications peuvent être modifiées sans préavis. Document et photos non contractuelles.  
February 29, 2024 - Disclaimer: Continued product improvements make specifications and measurements subject to change without notice. Non-contractual document.

\* DENOTES OPTIONAL PART.  
\*\* REQUIRED - SOLD SEPARATELY.

N°	Descriptions	EU-1001 <sup>(1)</sup>	EU-1001HPS <sup>(1)</sup>
1	BUBBLER HEAD, PCP	EU-SP-5705	EU-SP-5705
2	BUTTON, PUSH, PCP, FLANGED W/ VALVE	EU-SP-5874PBF	EU-SP-5874PBF
3	VALVE REPAIR KIT	EU-SP-VRK5874	EU-SP-VRK5874
4	BUTTON, PUSH, EU-5874, FLANGED	EU-SP-PBA6	EU-SP-PBA6
5 *	PANEL, BACK, F/ SATIN SWIRL OR HI-POL SS	EU-BP-BP6	EU-SP-BP6HPS
6**	PLATE, MOUNTING	EU-SP-6700	EU-SP-6700
7	STRAINER, WASTE ASSEMBLY, SCP OR PCP	EU-SP-6463	EU-SP-6463PCP
8 *	PANEL, ACCESS, SS SATIN OR HI-POL	EU-SP-6603	EU-SP-6603HPS
9	PLATE, BOTTOM, F/ 1000	EU-SP-PBM1000	EU-SP-PBM1000
10 *	DRIVER, NOZZLE, .25 HEX	EU-SP-0002082253	EU-SP-0002082253



1 **EU-SP-5874PBF** (item 2) includes **EU-SP-VRK5874** cartridge assembly (item 3) and **EU-SP-PBA6** flanged push button (item 4).

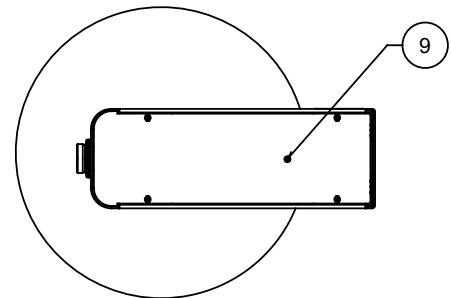



Style A  
(Tubing connects to elbow)

Style B  
(Tubing connects to insert assy)

**Fountain could have either style**

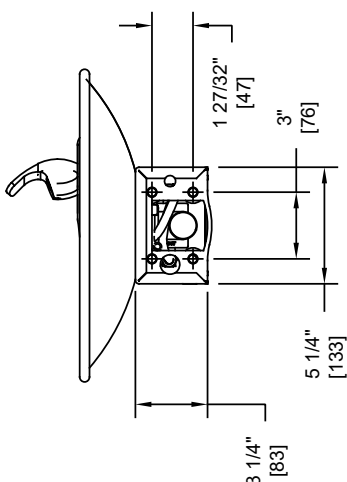
Detail A  
Rotated 90° into view



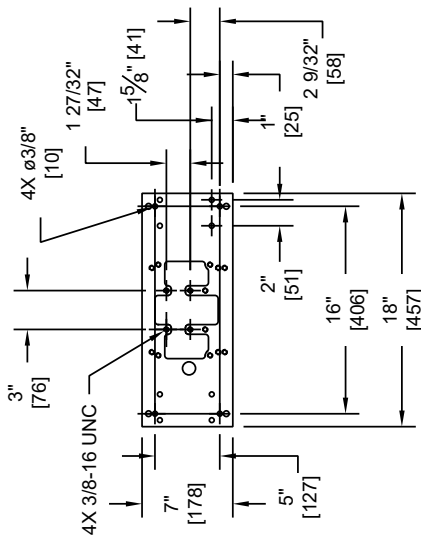
		<b>Haws</b> ®	
ECN NO. 5527	REVISED PER BY FV	MODEL(S)	PART NUMBER
DRAWN RTM	DATE 10/19/98	EU-1001 / EU-1001HPS	0002076304
APPROVED FV	DATE 04/02/20	SCALE: 1:1	REVISION 21
		DRAWING TYPE: PARTS BREAKDOWN	SIZE: A SHEET 1 OF 1

© 2020 Haws Corporation - All Rights Reserved. HAWS and other trademarks used in these materials are the exclusive property of Haws Corporation.

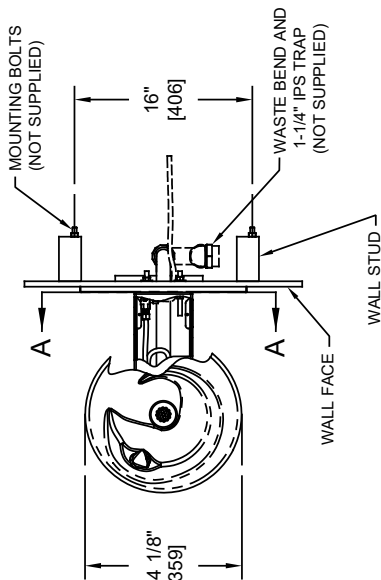
**(1)** Merci de nous indiquer (avant ou au moment de la commande) la référence exacte de la douche installée pour vérifier sa compatibilité avec les pièces détachées choisies.  
Please tell us (before or at the time of ordering) the exact reference of the installed shower to check its compatibility with the chosen spare parts.



SECTION A-A  
ROTATED 90° INTO VIEW  
BRACKET MOUNTING  
DETAIL

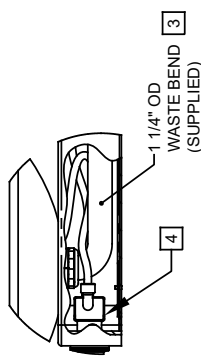


**EU-6700 MOUNTING PLATE  
MUST BE INSTALLED BEFORE FINISH WORK  
THIS PLATE IS REQUIRED - SOLD SEPARATELY.**

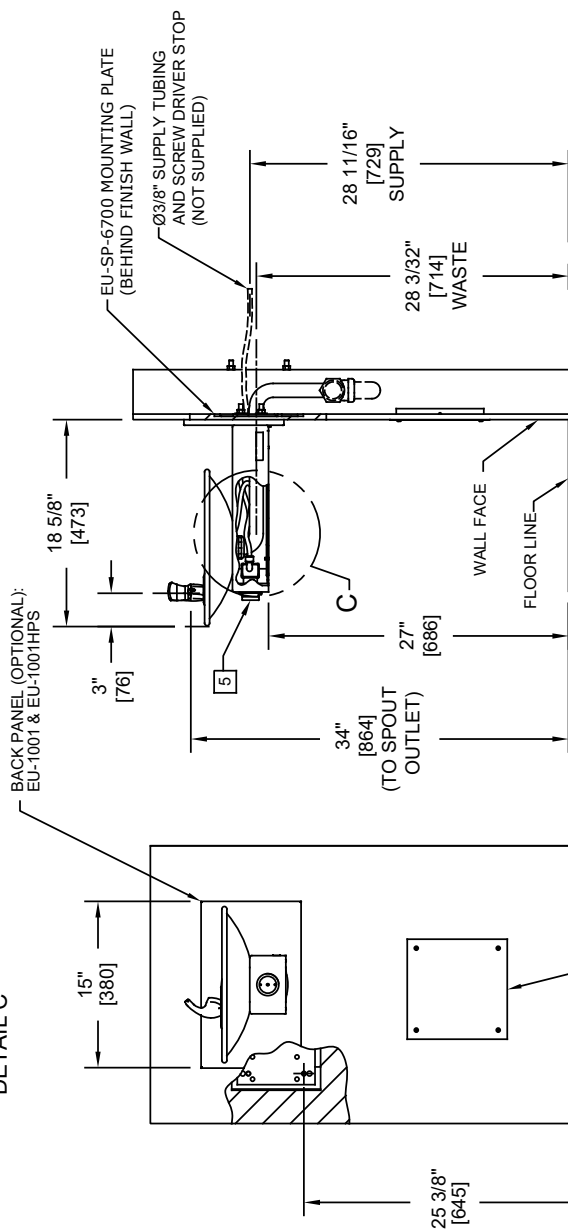


**NOTES:**

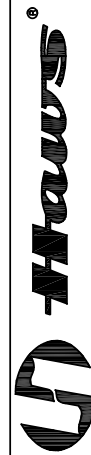
1. HOLD ROUGH-IN DIMENSIONS  $\pm 1/8"$  (3.2mm).
2. WHEN INSTALLING THIS UNIT, LOCAL, STATE, OR FEDERAL CODES SHOULD BE ADHERED TO FOR INSTALLATION DIMENSIONS (LOCATIONS), WASTE AND SUPPLY REQUIREMENTS OTHER THAN SHOWN.
3. INSTALLER MUST PROVIDE TRAP FOR PROPER INSTALLATION.
4. REMOVE VALVE FROM PUSH BUTTON TO INSTALL WASTE ELBOW ONTO BOWL. AFTER WASTE ELBOW IS INSTALLED, REINSTALL VALVE AND ADJUST FLOW.
5. REFER TO **EU-SP-5874 SERIES** OPERATION AND MAINTENANCE MANUAL FOR PUSH BUTTON AND VALVE INSTALLATION/ MAINTENANCE INSTRUCTIONS.



DETAIL



OPTIONAL TRAP ACCESS PANEL  
MODELS EU-SP-6603 AND EU-SP-6603HPS



ECON. NO. REVISED PER BY:		MODEL(S)		PART NUMBER	
ECN: 5827	FV	EU-1001 / EU-1001HPS		0002076304.D	
RTM: 0697	CHKD: DP			REVISION:	
APPROVED:	DATE: 04/02/20	SCALE: 1:1	DRAWING TYPE: INSTALLATION	SIZE: A	SHEET: 1 OF 1
					21

© 2020 Haws Corporation - All Rights Reserved. HAWS and other trademarks used in these materials are the exclusive property of Haws Corporation.

Date de révision du document : 29 février, 2024 - Avis de non-responsabilité : Les améliorations continues du produit font que les spécifications peuvent être modifiées sans préavis. Document et photos non contractuelles.  
February 29, 2024 - Disclaimer: Continued product improvements make specifications and measurements subject to change without notice. Non-contractual document.