



**BD-6-3100**

## Verge™ Deck-Mounted Soap Dispenser – Crestt Series

### Crestt Series Features - Soap and Faucet

- Refined, high arc design pairs with Verge™ faucet model BD-S53-3100
- Matching soap and faucet designs that integrate seamlessly with Bradley lavatories\*\*
- Chrome-plated cast brass construction with optional in-stock PVD finishes\*
- Sensing optimized to eliminate false activations and maximize battery life
- Vandal-resistant features include concealed sensor package, durable PVD finish options, and rotation-resistant gasket/washer
- Patents pending

### Soap Key Features

- Foam or liquid soap options
- Top-fill individual and multi-feed tank options
- Utilizes universal bulk soap
- Vandal-resistant features
- Multi-station system supplies up to 6 soap dispensers
- Smart Sense System – Elegant translucent ring at the base of each dispenser gives a glowing indication of low battery, low soap, and overflow conditions
- Audible warning to stop filling before overflow occurs
- Spout reach designed to optimize handwashing space
- Touch-free infrared sensor-operated
- Power supply options to meet your application – battery pack or single AC plug-in adapter or AC adapter splitter assembly that accommodates up to 4 devices
- Cast brass spout construction with durable, environmentally-friendly finish\*

### Specification

Refined, high arc design pairs with faucet model BD-S53-3100 and integrates seamlessly with Bradley lavatories\*\*. The dispenser is available with an individual or top fill multi-feed tank that is compatible with bulk foam or liquid soap. The multi-feed station system supplies soap to up to 6 soap dispensers. Activation through a touch-free infrared sensor that pairs seamlessly with Bradley's faucet dual sensor technology to eliminate false activations and maximize battery life. Dispenser shall feature chrome-plated cast brass construction with optional in-stock PVD finish. Vandal-resistant features include concealed sensor package, durable PVD finish options, and rotation-resistant gasket/washer.

### Overall Spout Dimensions

- Height: 5½" (140 mm)
- Width: 2" (51 mm)
- Depth: 5½" (140 mm)

### Capacity

- Individual tank: 70.5 oz (2080 ml) w/ 2850 estimated activations per tank
- Multi-feed tank: 166.5 oz (5026 ml) w/ 6930 estimated activations per tank
- Multi-feed can support up to 6 soap dispensers

Verify all rough-in dimensions prior to installation.  
Consult local and national codes. Conformity and compliance to local and national codes is the responsibility of the installer.



### Product Compliance

- ADA / ICC ANSI A117.1, Citation 309.4
- UL electrical components
- CE electrical components

### Finishes

Click on any color swatch to view as a larger image.

- Polished Chrome
- Brushed Black Stainless\*
- Brushed Stainless\*
- Brushed Bronze\*
- Brushed Brass\*
- Brushed Nickel\*

\*PVD Finishes, see PVD Finishes section.

### \* PVD Finishes

Physical Vapor Deposition is an intricate, environmentally friendly finishing process that molecularly bonds the finish to the faucet, creating a very hard, durable surface that will not corrode, discolor, or tarnish.

### Compatible Bradley Products

- <https://www.anox.fr/fr/554-bradley-france>

© 2023 Bradley

Date de révision du document : 11 avril 2023 - Avis de non-responsabilité : Les améliorations continues du produit font que les spécifications peuvent être modifiées sans préavis. Document et photos non contractuelles. April 11, 2023 - Disclaimer: Continued product improvements make specifications subject to change without notice. Non-contractual document.



**BD-6-3100**

## Verge™ Deck-Mounted Soap Dispenser – Crestt Series

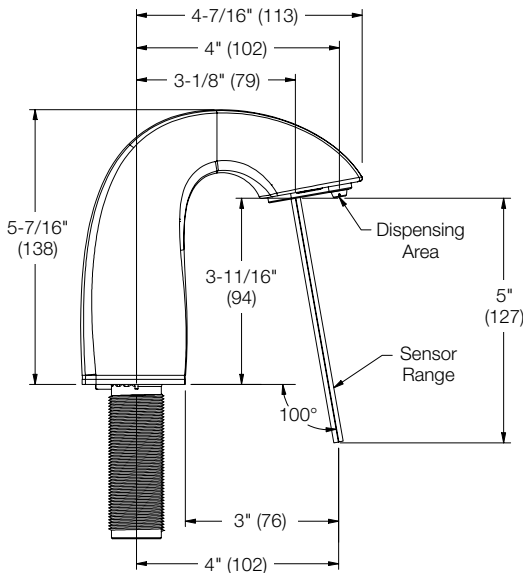
### Operation

Place hands under soap spout and hold for approximately 1.75 seconds. Spout will dispense liquid or foam soap depending on option selected.

- Allows 3 activations per 7.5 seconds.  
Liquid: 0.65 ml to 0.80 ml per activation  
Foam: 0.75 ml (liquid state) to 1.35 ml (foam state) per activation

### Sensor Technology

Infrared sensor with 4–5" (102–127 mm) activation range† that pairs seamlessly with Bradley's faucet dual sensor technology to eliminate false activations and maximize battery life. See Sensing Dimensions diagram.



† A minimum of 5" (127 mm) clearance between the sensor and surface or bowl is needed to ensure proper function of the sensor. For information on specific applications, please contact Bradley Technical Service.

### Indicator Lights

- Power ON (spout location): Flashes red for 1.2 seconds
- Power ON (multi-feed): Flashes green/red 3 times
- Soap dispense activation: Single flash green light
- Low power indication: Continuously flashing green light
- Low soap level: Flashes red when soap level is below 25% capacity
- Overflow condition: Steady red light with audible indication from buzzer lasts 2.5 seconds when fill level reaches 90% capacity

Verify all rough-in dimensions prior to installation.  
Consult local and national codes. Conformity and compliance to local and national codes is the responsibility of the installer.

### Power Source

Choose a power supply that meets your application: (Power source is not automatically included with Verge soap dispensers and must be chosen from the list below.)

- Individual battery pack† – each set of batteries can accommodate up to 140,000 cycles
- Individual AC power adapter option for 120V/230V for use on a single device

Ordered separately:

- AC adapter splitter assembly accommodates up to 4 devices. Use when desired to serve in combination of multiple devices (faucet, soap dispenser, and multi-feed soap tank assembly) and/or stations. (Electrical Plug Type B\*\*\*)

† Quantity (4) D-cell batteries included with battery pack

### Mounting

**Accurate mounting is essential to ensuring proper sensor function and performance.** Verify all rough-in dimensions prior to installation. Shank will accommodate a maximum counter thickness of 1 1/2" (38 mm). Mount dispenser in 1 3/8" (35 mm) diameter hole in lavatory or countertop with a minimum of 5" (127 mm) clearance between the sensor and surface or bowl. To meet sensor range requirements with drop-in or vessel-style basin applications, the dispenser must be mounted on the basin and not on the counter or surface behind the basin.

### Product Materials

- Spout assembly: Chrome-plated cast brass w/ optional in-stock PVD finish
- Control box: ABS plastic
- Battery box: ABS plastic
- Soap tank: Polypropylene

### Soap Specifications

- Non-proprietary bulk soap (select foam or liquid)
- Liquid: Viscosity range of 100-5,000 cPs
- Foam: All-purpose foam hand soaps and antibacterial foam soaps containing PCMX and/or Triclosan

### Vandal Resistance

- Concealed sensor package deters vandalism
- Durable PVD finish is scratch resistant
- Rotation-resistant gasket/washer
- Tamper resistant screw

**BD-6-3100****Verge™ Deck-Mounted Soap Dispenser – Crestt Series**

<b>Model</b> <input type="radio"/> <b>BD-6-3100</b> Verge Deck-Mounted Soap Dispenser – Crestt Series
<b>Required Selections</b> (must select one from each category) <b>Activation Type</b> (select one) <input type="radio"/> <b>R</b> Infrared Sensor Operation
<b>Soap Type</b> (select one) <input type="radio"/> <b>F</b> Foam <input type="radio"/> <b>L</b> Liquid
<b>Fill System</b> (select one) <input type="radio"/> <b>T</b> Single (Top fill at spout) <input type="radio"/> <b>M</b> <a href="#">Multi-Feed (Shared Tank, Top-Fill Port)</a>
<b>Finish Type</b> (select one) <input type="radio"/> <b>PC</b> Polished Chrome <input type="radio"/> <b>BB</b> Brushed Black Stainless <input type="radio"/> <b>BS</b> Brushed Stainless <input type="radio"/> <b>BZ</b> Brushed Bronze <input type="radio"/> <b>BR</b> Brushed Brass <input type="radio"/> <b>BN</b> Brushed Nickel
<b>Power Supply</b> (select one) <input type="radio"/> <b>A14-029</b> AC Adapter - Electrical Plug Type B <input type="radio"/> <b>A14-030</b> Battery Pack (includes 4x D-cell batteries) <input type="radio"/> <b>NONE</b> No Power Supply Provided – must purchase A14-031 separately***

<b>Additional Parts for Purchase (Purchased Separately)</b>	
<b>Feature</b>	<b>Part Number</b>
*** AC Adapter Splitter Assembly accommodates up to 4 devices when desiring a combination of multiple devices (faucet, soap, & multi-feed soap tank assembly) and/or stations. (Electrical Plug Type B)	A14-031
Multi-Feed Soap Tank Assembly	BD-6-SOAP-MFT

Verify all rough-in dimensions prior to installation.  
Consult local and national codes. Conformity and compliance to local and national codes is the responsibility of the installer.

**BD-6-3100 - DISTRIBUTEUR DE SAVON - VERGE MODÈLE CRESTT****CARACTÉRISTIQUES :**Distributeurs de savon VERGE - Modèle CRESTT :

- Une gamme chef de file d'options de remplissage par le haut avec des réservoirs à grande capacité qui nécessitent moins de remplissage.
- Comprennent un système de capteur intelligent avec indicateurs à DEL qui permet au personnel d'entretien de savoir lorsque les niveaux de savon et de la pile sont bas.
- Les alertes sonores et visuelles aident au processus de remplissage afin d'empêcher de trop remplir et de renverser.
- Un tube supplémentaire de ventilation dans la tige empêche le blocage de l'air, permettant des remplissages plus faciles.
- Options universelles en vrac de savon mousse et liquide.
- Des capteurs, des becs et des joints anti-rotation cachés empêchent le vandalisme.
- Capteurs optimisés pour éliminer les faux actionnements et maximiser la durée de vie de la pile.

6 finitions différentes :

- Chrome poli
- Acier inoxydable brossé
- Nickel brossé
- Laiton brossé
- Bronze brossé
- Acier inoxydable noir brossé



COMIMEX

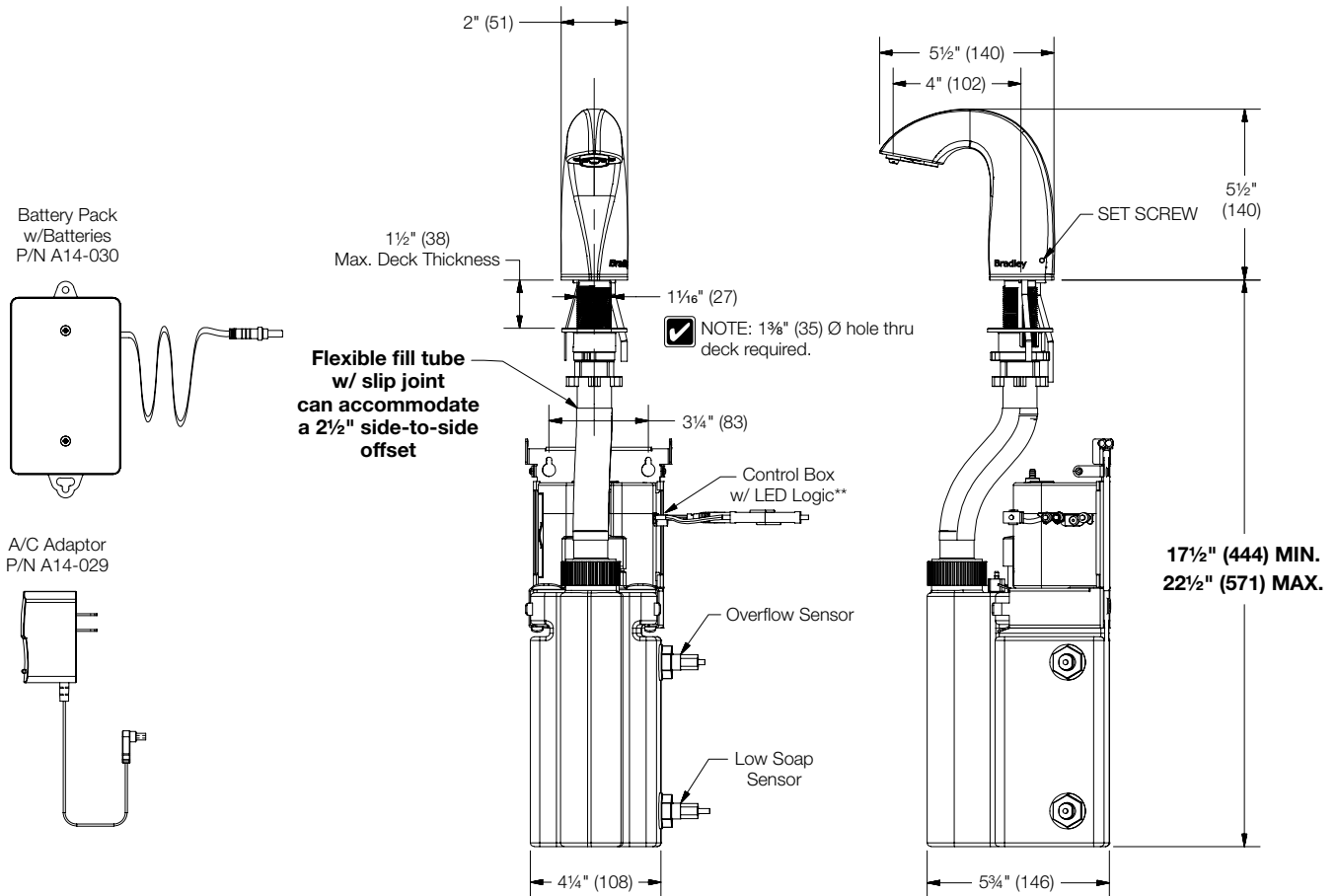
BD-6-3100

Verge™ Deck-Mounted Soap Dispenser – Crestt Series

Dimensions – Single Top-Fill

(mm)

Note the dimension tolerances (bolded in the illustration below) before installation. Failure to adhere to these tolerances can cause the dispenser to work improperly.



Verify all rough-in dimensions prior to installation. Consult local and national codes. Conformity and compliance to local and national codes is the responsibility of the installer.

\*\* NOTE: Battery pack or AC adaptor required. AC power source required to be within 54" (1371) of the control box.

© 2023 Bradley

Date de révision du document : 11 avril 2023 - Avis de non-responsabilité : Les améliorations continues du produit font que les spécifications peuvent être modifiées sans préavis. Document et photos non contractuelles. April 11, 2023 - Disclaimer: Continued product improvements make specifications subject to change without notice. Non-contractual document.



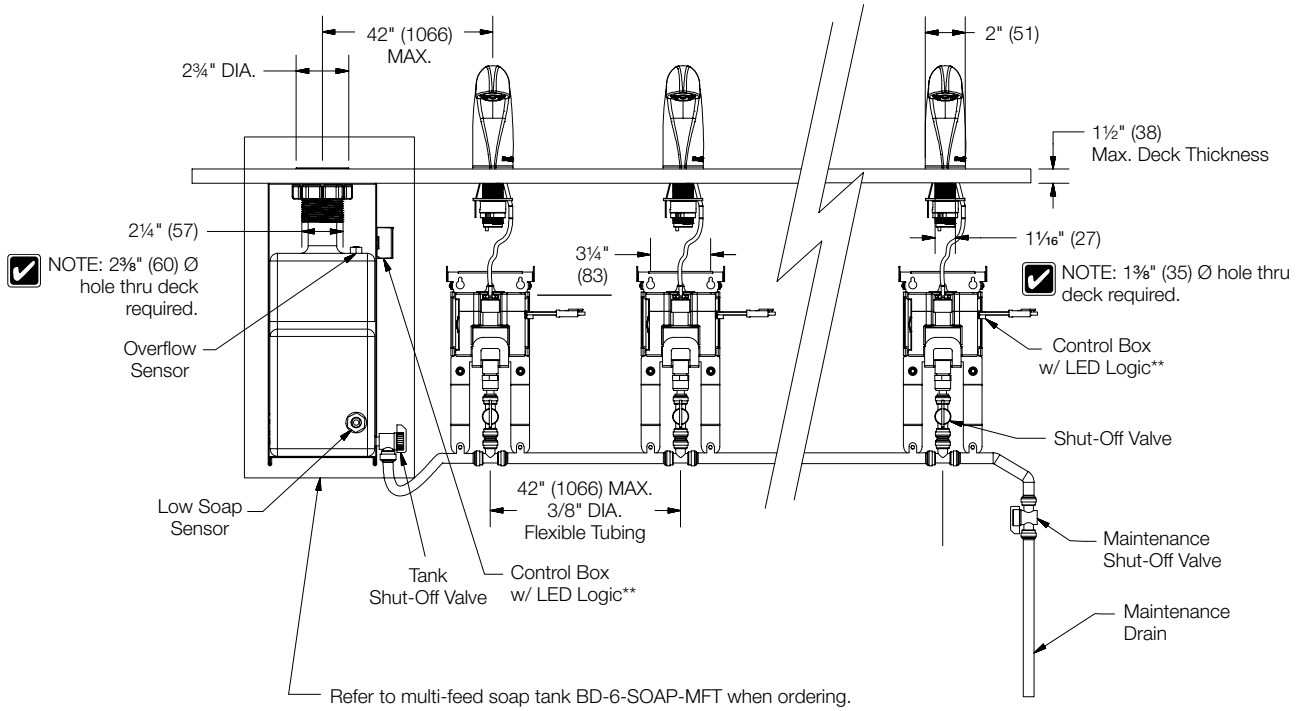
COMIMEX

BD-6-3100

Verge™ Deck-Mounted Soap Dispenser – Crestt Series

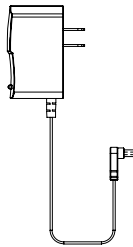
Dimensions – Multi-Feed System - End Tank

(mm)

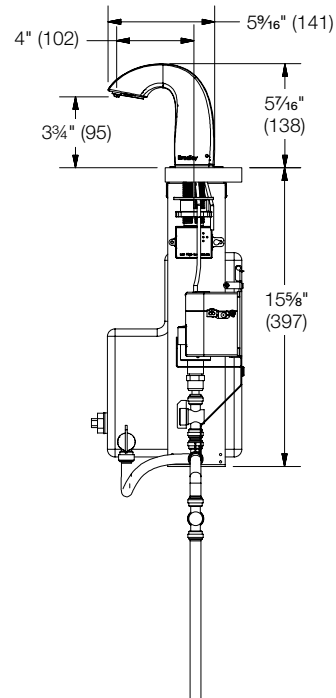
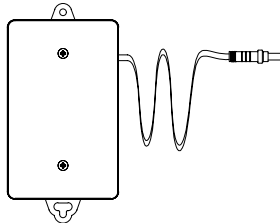


☑ \*\* NOTE: Battery pack or AC adaptor required.  
AC power source required to be within 54" (1371) of the control box.

A/C Adaptor  
P/N A14-029



Battery Pack w/Batteries  
P/N A14-030



Verify all rough-in dimensions prior to installation.  
Consult local and national codes. Conformity and compliance to local and national codes is the responsibility of the installer.

© 2023 Bradley

Date de révision du document : 11 avril 2023 - Avis de non-responsabilité : Les améliorations continues du produit font que les spécifications peuvent être modifiées sans préavis. Document et photos non contractuelles. April 11, 2023 - Disclaimer: Continued product improvements make specifications subject to change without notice. Non-contractual document.



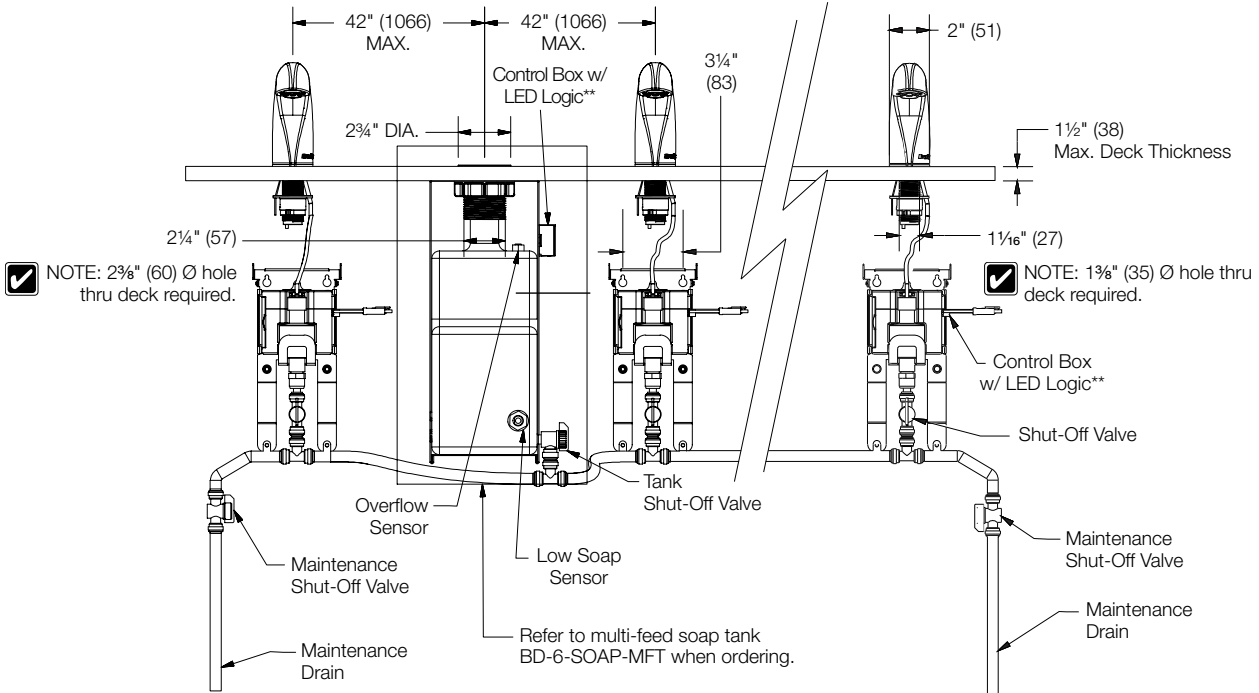
COMIMEX

BD-6-3100

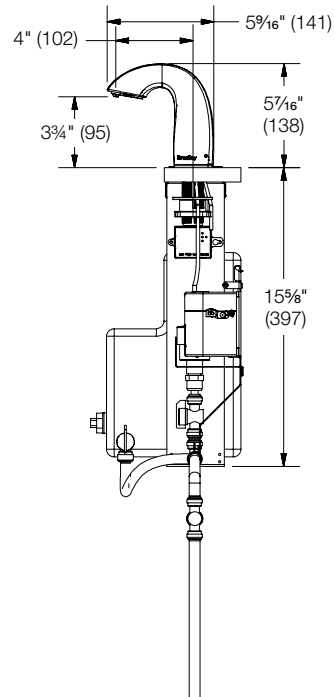
Verge™ Deck-Mounted Soap Dispenser – Crestt Series

Dimensions – Multi-Feed System - Mid Tank

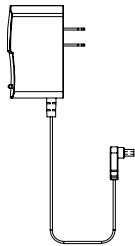
(mm)



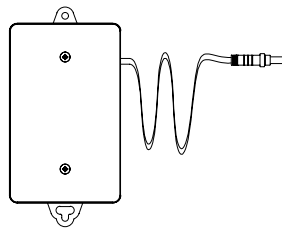
\*\* NOTE: Battery pack or AC adaptor required. AC power source required to be within 54" (1371) of the control box.



A/C Adaptor P/N A14-029



Battery Pack w/Batteries P/N A14-030



Verify all rough-in dimensions prior to installation. Consult local and national codes. Conformity and compliance to local and national codes is the responsibility of the installer.

© 2023 Bradley

Date de révision du document : 11 avril 2023 - Avis de non-responsabilité : Les améliorations continues du produit font que les spécifications peuvent être modifiées sans préavis. Document et photos non contractuelles. April 11, 2023 - Disclaimer: Continued product improvements make specifications subject to change without notice. Non-contractual document.